



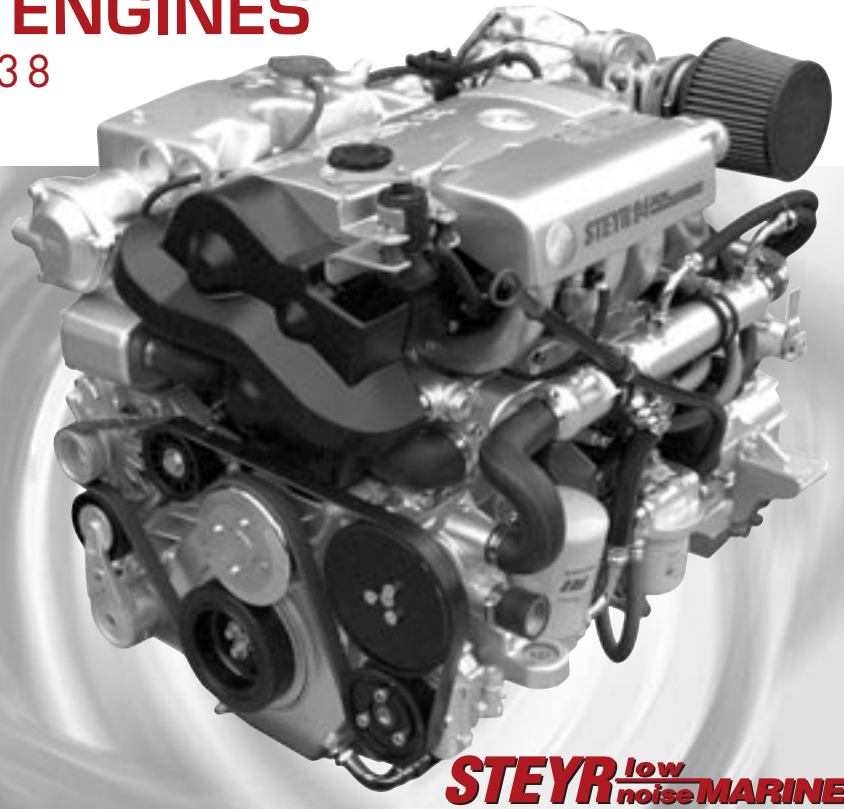
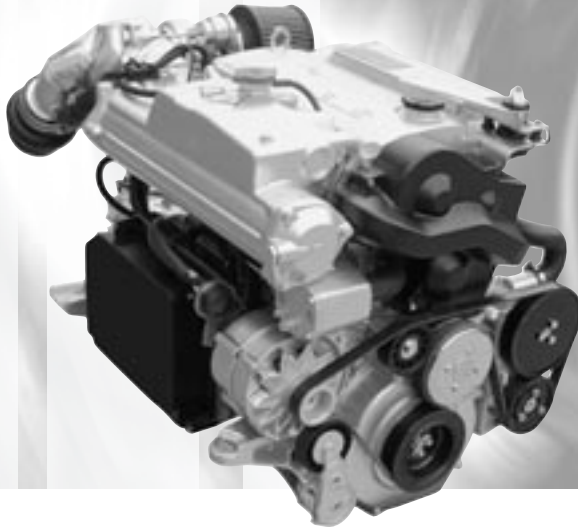
STEYR MARINE ENGINES

■ MO94K33 ■ MO104K38

■ MO114K33

63 – 81 KW (86 – 110 HP)
4-Cylinder

The state-of-the-art STEYR Marine Diesel Engine with dual cooling circuit fulfilling the strengthened future marine emission regulation.



STEYR *low noise* **MARINE**

The STEYR Marine Engine is designed for high performance. The innovative fuel injection technology enables an excellent torque and speed range. Therefore adaptation to existing marine propulsion systems can be performed easily. Remarkable features of the STEYR Marine Engines are the dynamic behaviour and immediate response as well as the impressive acceleration.

SERVICE LIFE

The STEYR Marine Engines are manufactured using high alloy materials to provide enduring longevity for all running components. Using corrosion resistant materials for the entire seawater system as a standard in the dual circuit cooling system. Consequently designed solutions to meet the criteria of marine environment guarantee the best corrosion protection for any auxiliaries and electronic components in marine ambience.

COMFORT.

The patented 2-stage UNIT INJECTOR fuel injection technology provides for a worldwide approved and smooth operation noise (patented). Noise emission levels are over the most important operating range below the running noise of gasoline engines. The additional elastic separation of the Monoblock against the aluminum casted engine housing reduces the engine related vibration transmitted into the hull therefore the noise level on board is further reduced.

Torque and speed range characteristic enable optimal matching to individual application while maintaining transmission, gear ratio and propeller dimensions. The big choice of matched accessories fulfills the highest level of quality and comfort for you on board your vessel.

EXHAUST EMISSIONS

The trend-setting UNIT INJECTOR system enables us already today to conform with the valid emission regulations BSO II and SAV 2, respectively we can fulfill the announced EPA – Tier 2 and suchlike emission regulations.

TRANSMISSION

Steyr Marine Engines allow the installation with different driving system in your boat. Adaptation for ZF – marine transmission with different output

configuration (direct, horizontal down-angle 8°, V-drive 12°), to choose from as well as an intermediate housing for propeller shaft and Jet-Drives and kits for installation to Mercury Bravo I, Bravo II and Bravo III Stern-Drives.

TECHNICAL DESCRIPTION ENGINE MONOBLOCK

Our unique and robust monoblock design, engine block and cylinder head made from high grade alloy cast iron, without limitation in cooling and unrivaled roundness of the cylinder gives exceptional life time for the liner.

- Chrome-Molybdenum forged crankshaft, dynamically balanced
- Pistons are cast from high silicon aluminum, with oil cooling channel in 3-ring technology
- Hardened valve-seats high performance NIMONIC valve material
- Elastic coupling on flywheel, design matched depending on application

ENGINE MOUNTING

Adjustable front and rear silent blocks capable to take propeller thrust.

LUBRICATION SYSTEM

- Exchangeable oil filter cartridge
- Oil scavenger pipe through dipstick
- Closed crankcase breathing system

FUEL SYSTEM

- Integrated high pressure UNIT INJECTOR with dual stage fuel-injection technology, operated by overhead camshaft and rocker arms.
- Electric fuel pump (automatic bleeding capability)
- Exchangeable fuel filter cartridge

EXHAUST SYSTEM

Freshwater cooled exhaust manifold and seawater cooled exhaust elbow

COOLING SYSTEM

- Freshwater cooling system with thermostat control
- Heat exchanger with integrated expansion tank system
- Connection prepared for boiler/cabin heating system
- Sea water pump with impeller, integrated and replaceable wear plates

STEYR MARINE ENGINES

TECHNICAL DATA

Engine type	MO94K33	MO104K38	MO114K33
	4-stroke, turbocharged, intercooled direct-injection, fresh water cooling		
Output (crankshaft) kW [HP]*	63 [86]	70 [95]	81 [110]
Rpm at full load	3300	3800	3300
Cylinders	4 in line	4 in line	4 in line
Displacement [cm ³]	2133 (130 cid)	2133 (130 cid)	2133 (130 cid)
Bore [mm]	85	85	85
Stroke [mm]	94	94	94
Compression ratio	18 : 1	18 : 1	18 : 1
Max. torque [Nm]	200	200	260
at speed [rpm]	2300	2300	2300
[lb-ft]	147.6	147.6	191.8
Injection system	two stage unit injectors	two stage unit injectors	two stage unit injectors
Standard alternator [A]	90	90	90
Electronic engine diagnostic	yes	yes	yes
Weight [kg]	243 (535 lbs)	243 (535 lbs)	255 (561 lbs)
Weight per unit of power [kg/HP]	2.83 (6.22 lbs/HP)	2.56 (5.63 lbs/HP)	2.32 (5.10 lbs/HP)

* acc. ISO 8665 or ISO 3046

MARINE GEAR BOX

Model	ZF 45
Clutch system	Hydraulic disc
Gear ratio	2.52 / 2.04 / 1.56 : 1
Output configuration	direct / horizontal / 8° down-angle / V-drive 12°
Dry weight [kg]	35 (77 lbs)

ELECTRICAL SYSTEM

- 12V system plug-in solution
- 2-poled installation and 24V alternators on request
- Marine suitable alternator 14V/90 A
- Voltage regulator in alternator cares for optimum charging conditions of the batteries
- Glow plugs for a trouble-free cold start
- Electric starter motor (2.2 kW output)
- Extension cable with plug-in-connection available in various lengths and for fly bridge installations

INSTRUMENT PANEL

Standard panel includes:

- Key switch – ignition and start function
- Control lamps for battery charging, oil pressure, glow plug indication and service code storage
- Revolution counter
- Temperature gage for engine coolant temperature
- Instrument illumination
- Audible alarm

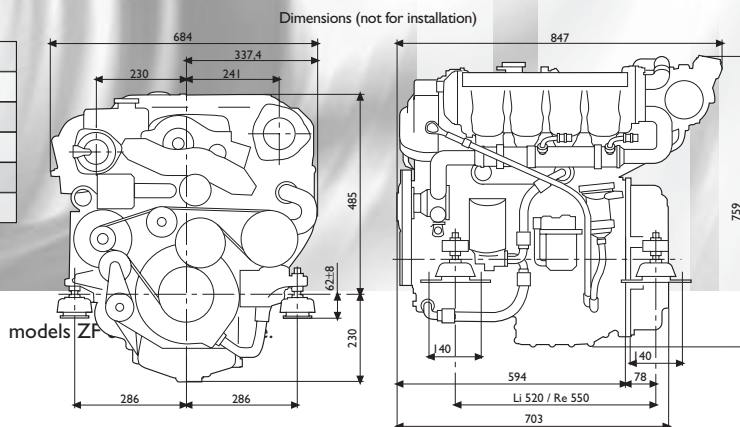
PROFESSIONAL PANEL includes

- Ignition by retained bush button switch
- Starting function by bush button
- Check lamps for battery charging, oil pressure, glow plug indication and service code memorization
- Tachometer
- Instrument illumination
- Temperature gage for engine coolant temperature
- Audible Alarm

NEW: The STEYR Naval Control Center "SPORTLINE" an integrated display unit including the functions of digital instruments, switch board, fuel management & driving range calculation, GPS-position, speed over ground, digital manual and diagnostic system.

TRANSMISSION

Marine transmission of type ZF 45 and 63, hydraulic switched multi disk clutch, 100 % suitable for left- and right-hand rotation, drive flange configuration direct, drop center with 8° down angled output shaft or at



ADAPTATION

- for Jet-Drives & Surface Drives

ACCESSORIES

- Oil pressure gage
- Additional key switch for governed speed
- Connecting cable for secondary helm
- Extra alternator kits
- Hot water systems
- Separate expansion tanks
- Sea water filters
- Front power take off
- Fuel pre-filter with water separator
- Chemical products – paints, oils, cleaners etc.

Water pick up, sea cock, siphon valve, cooling hose, exhaust system and transom exhaust, fuel filter and fuel pipes, pulleys, filler cap and brackets for auxiliaries - just contact your STEYR Marine Partner he will be delighted to serve you.

Not all models, standard equipment and accessories are available in all countries. All specifications are subject to change without notice. The engine illustrated may not be entirely identical to production standard engines.

Your partner

STEYRMOTORS
INNOVATION WITH LIGHTNESS



STEYR MOTORS GmbH
Im Stadtgut B1, A-4407 Steyr-Gleink, AUSTRIA
E-mail: e.sales@steyr-motors.com